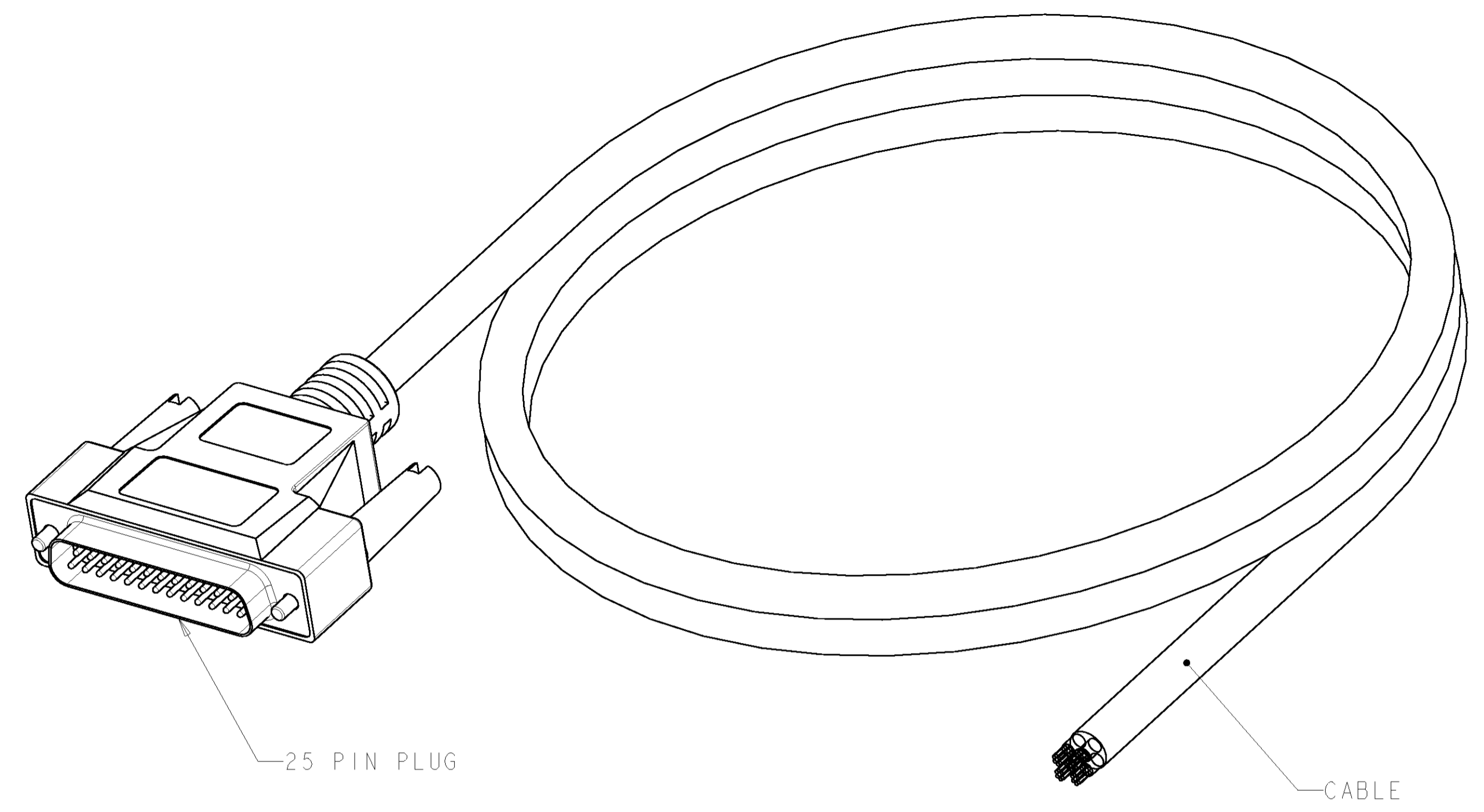
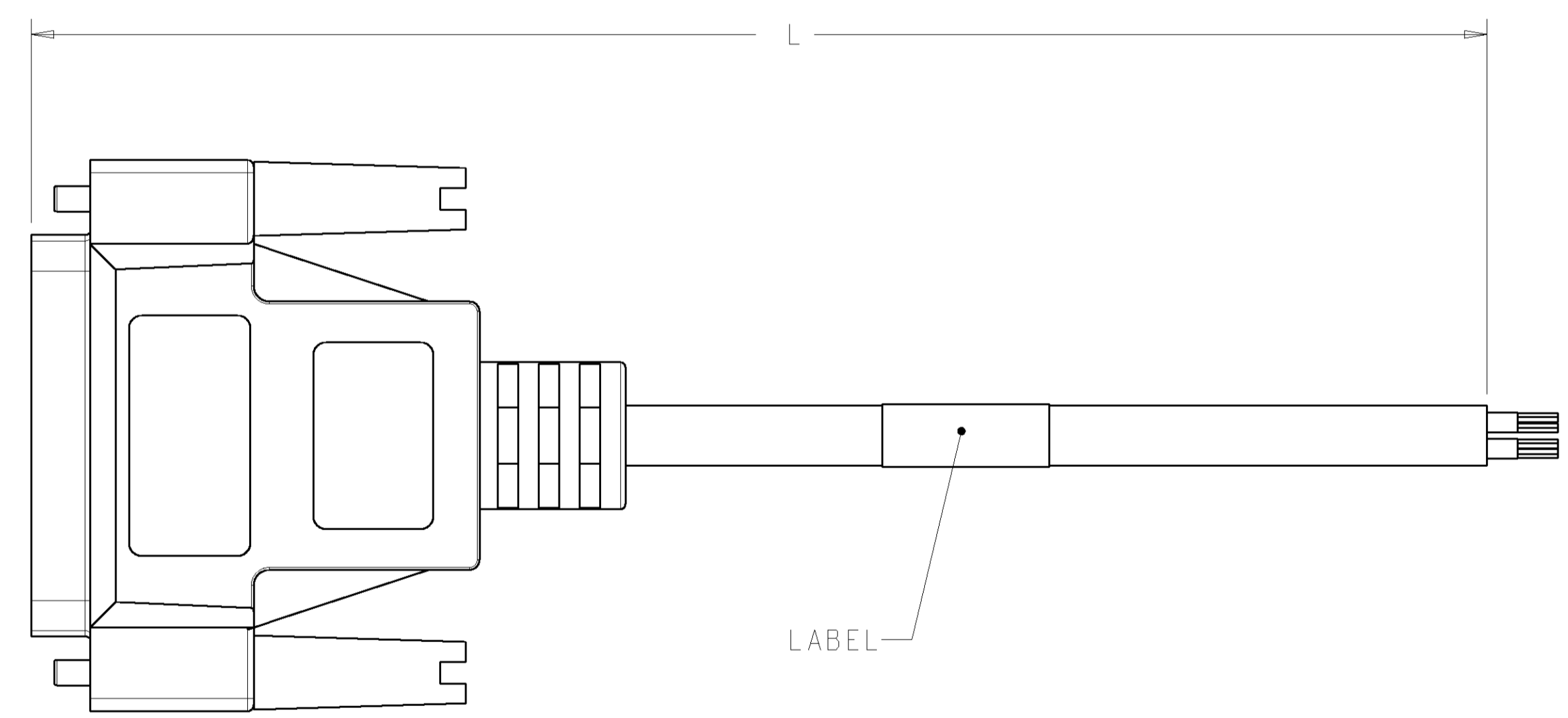
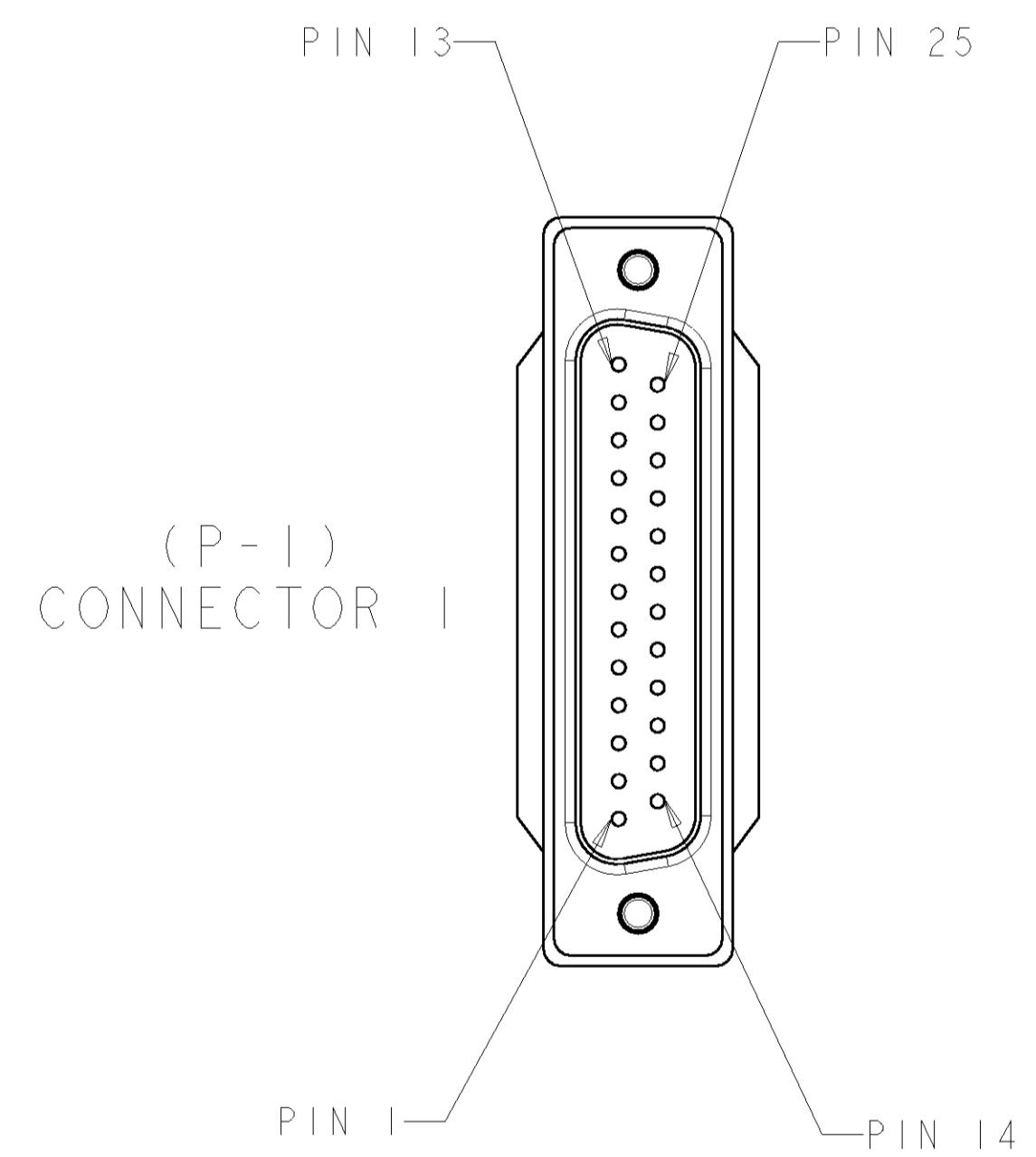


LOC		DIST		REVISIONS			
HM	00	P	LTR	DESCRIPTION	DATE	DWN	APVD
		E		REV: EC 0B60-0085-04	13OCT2004	GG	MD
		F		ECO-05-012735	09JAN2006	JM	MD
		G		ECO-07-013630	12JUN2007	JM	SH



- 1 CABLE ASSEMBLY SHALL BE WIRED PER WIRING DIAGRAM.
- 2 PIN 1 NOT CONNECTED.
- 3 DIMENSIONS ARE MAXIMUM.

COLOR CODING AND WIRING SCHEME 1			
DB25 P1	SUBUNIT JACKET COLOR	CONDUCTOR COLOR	P2
13	BLUE	BLUE/WHITE	
25	BLUE	BLUE	
12	BLUE	ORANGE/WHITE	
24	BLUE	ORANGE	
11	BLUE	GREEN/WHITE	
23	BLUE	GREEN	
10	ORANGE	BLUE/WHITE	
22	ORANGE	BLUE	
9	ORANGE	ORANGE/WHITE	
21	ORANGE	ORANGE	
8	ORANGE	GREEN/WHITE	
20	ORANGE	GREEN	
7	GREEN	BLUE/WHITE	
19	GREEN	BLUE	
6	GREEN	ORANGE/WHITE	
18	GREEN	ORANGE	
5	GREEN	GREEN/WHITE	
17	GREEN	GREEN	
4	BROWN	BLUE/WHITE	
16	BROWN	BLUE	
3	BROWN	ORANGE/WHITE	
15	BROWN	ORANGE	
2	BROWN	GREEN/WHITE	
14	BROWN	GREEN	
1	NOT CONNECTED		2



132	40386 [1590.00]	8-1435844-0
100	30632.4 [1206.00]	9-1435844-9
50	15392.4 [606.00]	5-1435844-0
25	7772.4 [306.00]	2-1435844-5
14	4419.6 [174.00]	1-1435844-4
7	2286.0 [90.00]	1435844-7
FEET	L	PART NUMBER

<small>THIS DRAWING IS UNPUBLISHED. RELEASED FOR PUBLICATION BY TYCO ELECTRONICS CORPORATION. ALL RIGHTS RESERVED.</small>		DWN: L HALL 08JAN04 CHK: L SMITH 08JAN04 APVD: M DELPHIAS 08JAN04	Tyco Electronics Harrisburg, PA 17105-3608
DIMENSIONS: MM [INCH] TOLERANCES UNLESS OTHERWISE SPECIFIED: 0 PLC ± 1 PLC ± 2 PLC ± 3 PLC ± 4 PLC ± ANGLES ±		NAME: AMPTRAC I/O CABLE DB25 TO IDC NON-PLENUM PRODUCT SPEC: APPLICATION SPEC: WEIGHT:	SIZE: A1 CAGE CODE: 00779 DRAWING NO: 1435844 RESTRICTED TO:
MATERIAL: - FINISH: -		CUSTOMER DRAWING	SCALE: NTS SHEET: 1 OF 1 REV: G